

Standard Preparation 800x500 mm Soaking Sink with 2 Bowls

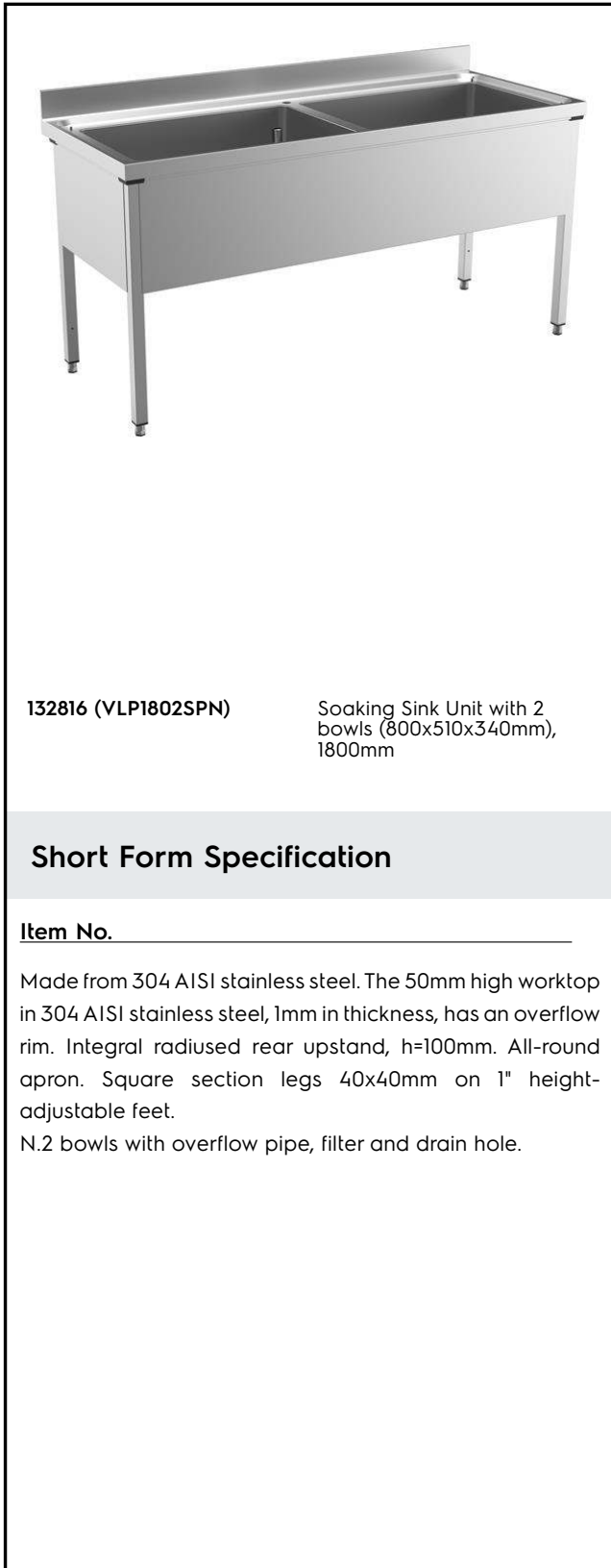
ITEM # _____

MODEL # _____

NAME # _____

SIS # _____

AIA # _____


132816 (VLP1802SPN)

 Soaking Sink Unit with 2
 bowls (800x510x340mm),
 1800mm

Short Form Specification

Item No. _____

Made from 304 AISI stainless steel. The 50mm high worktop in 304 AISI stainless steel, 1mm in thickness, has an overflow rim. Integral radiused rear upstand, h=100mm. All-round apron. Square section legs 40x40mm on 1" height-adjustable feet.

N.2 bowls with overflow pipe, filter and drain hole.

Main Features

- Sturdiness, stability and reliability of table accurately tested.

Construction

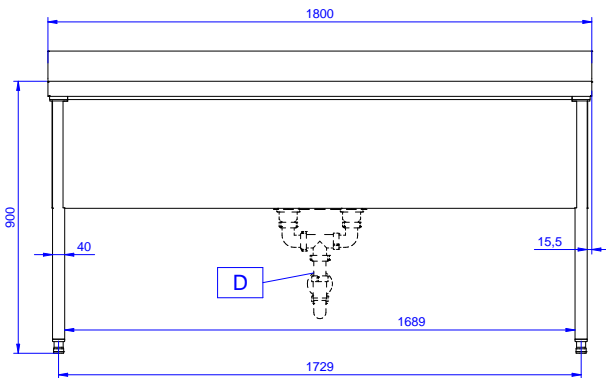
- 50 mm worktop in 304 AISI stainless steel, 10/10 in thickness with overflow rim along the top.
- Square section legs and 40 mm height-adjustable feet in 304 AISI stainless steel.
- Sink tops easily slotted onto the legs and taps are easily installed from the rear.
- Bowl with rounded internal corners supplied as standard with an overflow pipe with filter and a drain hole. Bowl base inclined towards the drain outlet.
- Wide range of taps are available to suit every need.
- 100 mm upstand with 10 mm radiused corner and 13 mm deep, designed to be used against a wall.
- Pan washing support to use inside the bowl is available as an accessory.

Optional Accessories

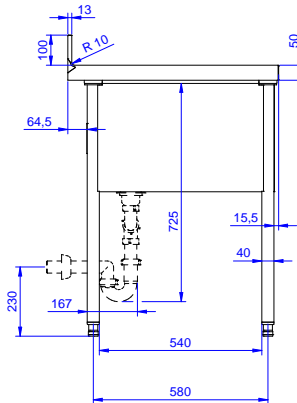
- Lower shelf for 1800mm tables and sinks PNC 855148
- Set of 4 wheels (2 with brake) d. 100mm for tables and sinks (total height on wheels= 993 mm) PNC 855150
- 3-sided underframe for 1800mm tables PNC 855155
- Elbow operated mixer tap with spout 3/4", single hole PNC 855322
- Elbow operated mixer tap with short spout 3/4", single hole PNC 855323
- Foot operated mixer tap (hot and cold) with spout 3/4" PNC 855328
- Single plastic drain syphon 2" for Sinks PNC 895313

APPROVAL: _____

Front

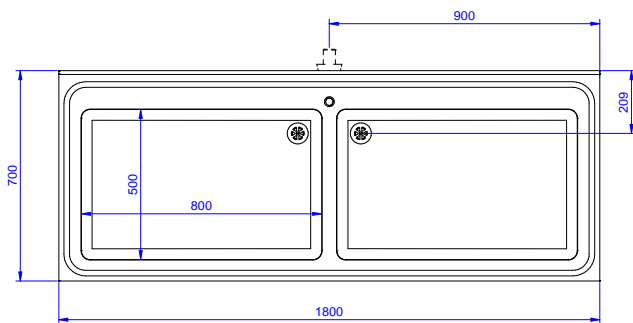


Side



D = Drain

Top



Key Information:

External dimensions, Width:	1800 mm
132816 (VLP1802SPN)	1800 mm
External dimensions, Depth:	700 mm
External dimensions, Height:	1000 mm
Upstand Dimensions, Height:	100 mm
Upstand Dimensions, Depth:	13 mm
Upstand Dimensions, Radius:	R=10
Bowls number	2
Bowl dimensions	800x500xH350
Worktop thickness:	50 mm
Net weight:	72 kg